

# MTD

Otomotiv San. Tic. Ltd. Şti.



# STEEL AIR TANK

<b>Norm</b>	EN286-2 / 1992
<b>Operating Pressure</b>	15,5 BAR ( 144 mm, 154 mm, 206 mm, 246 mm, 276 mm, 310 mm ), 12,5 BAR ( 396 mm )
<b>Test Pressure</b>	23,25 BAR ( 144 mm, 154 mm, 206 mm, 246 mm, 276 mm, 310 mm ), 18,75 BAR ( 396 mm )
<b>Operating Heat Range</b>	Tmin.=-50°C, Tmax.=+100°C
<b>Welding Method</b>	Automatic 135 Mag Kc=1
<b>Material</b>	S355MC - EN 10149-2 S275J2 - EN 10025-2 P275SL - EN 10207-2
<b>Coupling</b>	Metric or NPT coupling.



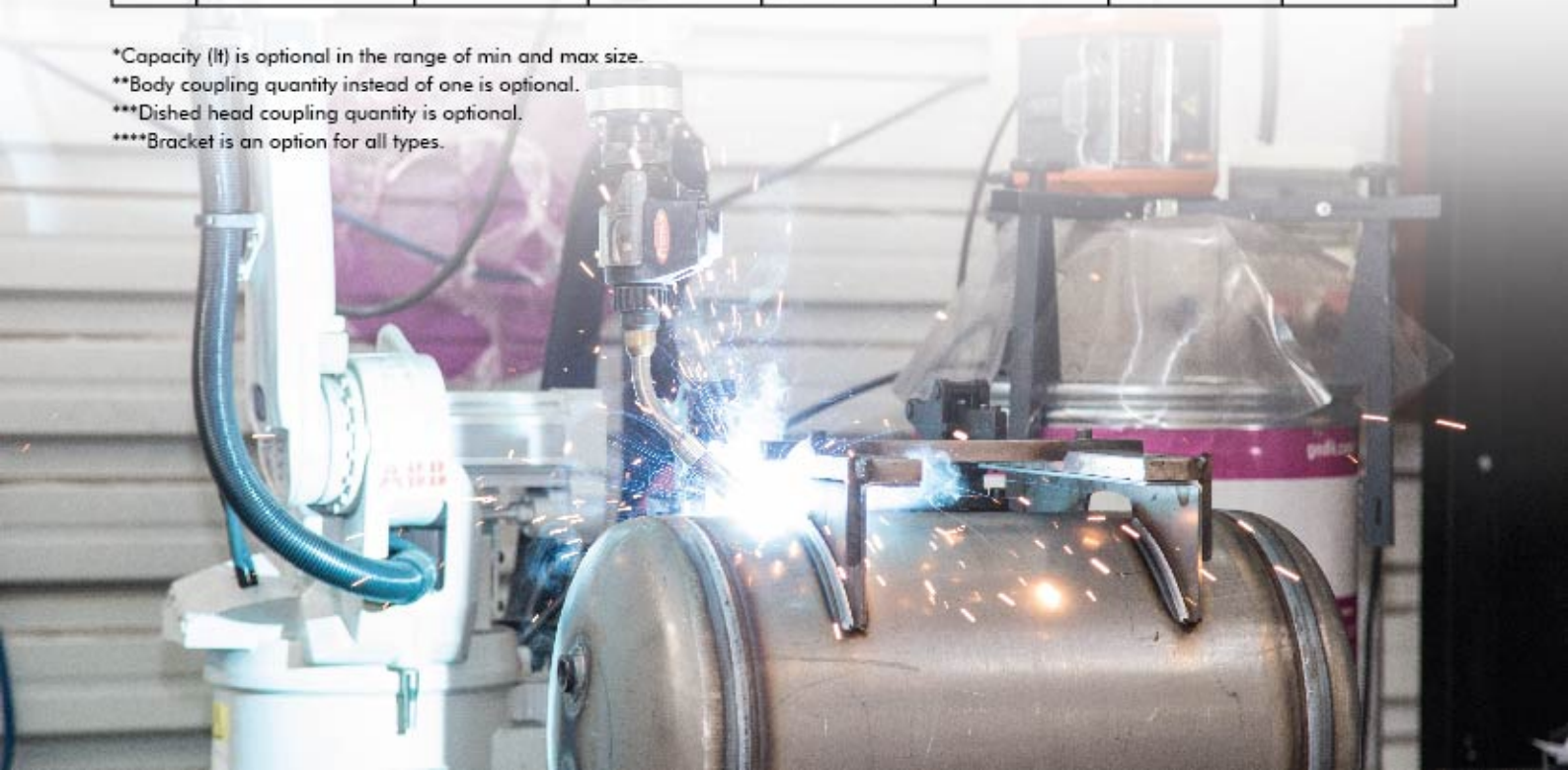
POS.	PRODUCT CODE	DIAMETER (MM)	MIN. CAPACITY (LT)*	MAX. CAPACITY (LT)*	BODY COUPLING QTY**	DISHED HEAD COUPLING QTY***	BRACKET****
1	MTD.396.X.S000	396	30	120	1	Max 3 pcs	OPTIONAL
2	MTD.310.X.S000	310	20	80	1	Max 3 pcs	OPTIONAL
3	MTD.300.X.S000	300	20	60	1	Max 3 pcs	OPTIONAL
4	MTD.276.X.S000	276	15	60	1	Max 3 pcs	OPTIONAL
5	MTD.246.X.S000	246	8	60	1	Max 3 pcs	OPTIONAL
6	MTD.206.X.S000	206	5	30	1	Max 3 pcs	OPTIONAL
7	MTD.154.X.S000	154	2,25	20	1	Max 3 pcs	OPTIONAL
8	MTD.144.X.S000	144	4	6	1	Max 3 pcs	OPTIONAL

\*Capacity (lt) is optional in the range of min and max size.

\*\*Body coupling quantity instead of one is optional.

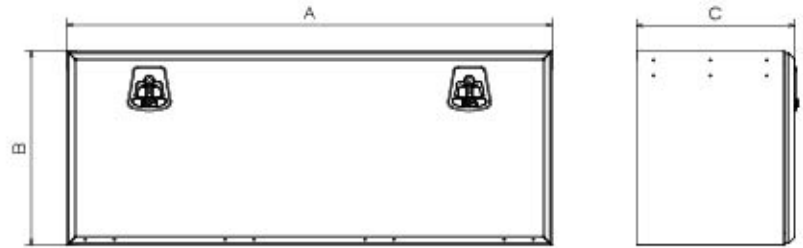
\*\*\*Dished head coupling quantity is optional.

\*\*\*\*Bracket is an option for all types.



# TOOLBOX

**Quality of Material** RPKK 3237, CCR 6112  
**Thickness** 1.2 mm, 1.5 mm, 2 mm  
**Welding Methods** Argon weld & TIG weld  
**Surface Protection Before Paint** Nano Ceramic



PRODUCT CODE	A (mm)*	B (mm)*	C (mm)*
MTD.40.30.30.X.000	400	300	300
MTD.40.30.30.X.000	500	400	400
MTD.60.40.50.X.000	600	400	500
MTD.70.60.50.X.000	700	600	500
MTD.80.50.50.X.000	800	500	500
MTD.90.50.50.X.000	900	500	500
MTD.100.60.50.X.000	1000	600	500
MTD.100.50.50.X.000	1000	500	500
MTD.120.50.50.X.000	1200	500	500
MTD.120.60.50.X.000	1200	600	500
MTD.125.60.50.X.000	1250	600	500
MTD.150.50.50.X.000	1500	500	500
MTD.150.60.50.X.000	1500	600	500



## LOCK SYSTEM

Inox



Plastic

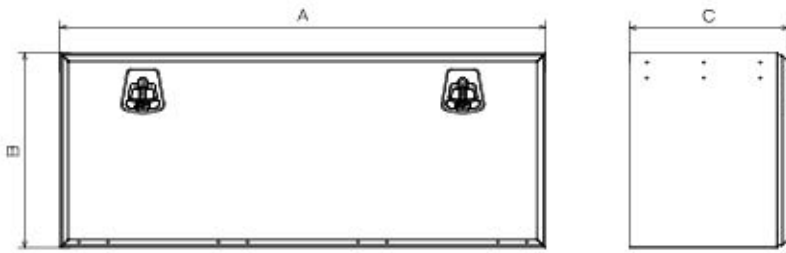


## Technical Features

- Galvanised steel DX51D+Z , black powder coated.
- Dkp steel DC01.
- Leak-proof seal.
- Removable shelf.
- Plastic and inox lock option.
- Gas spring, rope and leaf spring options for lid system.
- Blind hinge.
- E57 sign on boxes.
- Stable or removable tube place.
- \*Options can be varified regarding customers demands.
- Boutique production can be done.



# STAINLESS STEEL TOOLBOX



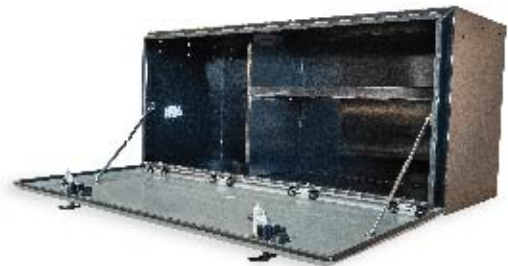
PRODUCT CODE	A (mm)*	B (mm)*	C (mm)*
MTD.40.30.30.X.000	400	300	300
MTD.50.40.40.X.000	500	400	400
MTD.60.40.50.X.000	600	400	500
MTD.70.60.50.X.000	700	600	500
MTD.80.50.50.X.000	800	500	500
MTD.90.50.50.X.000	900	500	500
MTD.100.60.50.X.000	1000	600	500
MTD.100.50.50.X.000	1000	500	500
MTD.120.50.50.X.000	1200	500	500
MTD.120.60.50.X.000	1200	600	500
MTD.125.60.50.X.000	1250	600	500
MTD.150.50.50.X.000	1500	500	500
MTD.150.60.50.X.000	1500	600	500

## LOCK SYSTEM

Inox



Plastic



## Technical Features

Stainless steel AISI 304.

Leak-proof seal.

Removable shelf.

Plastic and inox lock option.

Gas spring, rope and leaf spring options for lid system.

Blind hinge.

E57 sign on boxes.

Stable or removable tube place.

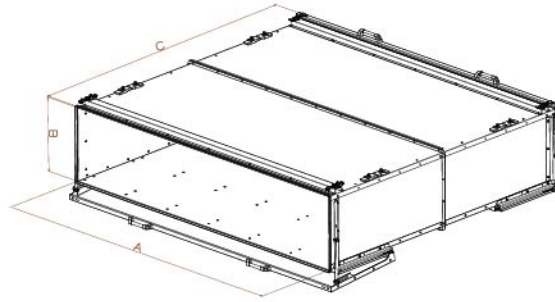
\*Options can be verified regarding customers demands.

Boutique production can be done.



## PALLET BOX

PRODUCT CODE	SIZES		
	A	B	C
MTD.250.45.244.G.000	2500	450	2440
MTD.245.45.244.G.000	2450	450	2440
MTD.263.59.244.G.000	2630	590	2440
MTD.322.54,5.244.G.000	3220	545	2440
MTD.343.40.244.G.000	3430	400	2440
MTD.263.54,5.244.G.000	2630	545	2440
MTD.263.40.244.G.000	2630	400	2440
MTD.185.59.244.G.000	1850	590	2440
MTD.122.40.244.G.000	1220	400	2440
MTD.310.70.244.G.000	3100	700	2440
MTD.320.59.244.G.000	3200	590	2440
MTD.246.59.244.G.000	2460	590	2440
MTD.343.45.244.G.000	3430	450	2440
MTD.240.59.244.G.000	2400	590	2440



### TECHNICAL FEATURES

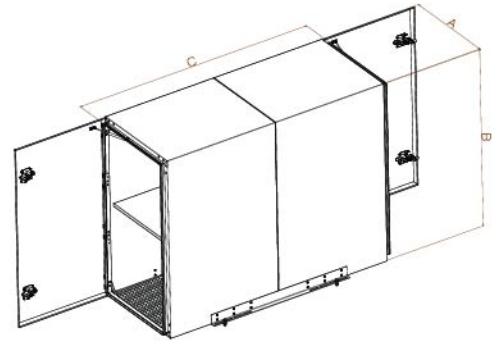
- Two locks, two handles.
- Key lock can be fitted.
- Water and dust proof seal on body.
- Can be fixed to car with 8 pcs support bracket.
- Lids are white painted, body is unpainted.
- Lid can be stainless according to demand.

## RETRO CAB

### TECHNICAL FEATURES

- White paint on galvanised sheet.
- Modular shelf.
- Vehicle fixing kit.
- Consists of two parts.
- There is waterproof seal at the meets.

PRODUCT CODE	SIZES		
	A	B	C
MTD.60.80.190.G.000	600	800	1900
MTD.60.130.190.G.000	600	1300	1900
MTD.60.145.190.G.000	600	1450	1900
MTD.60.90.200.G.000	600	900	2000
MTD.60.130.200.G.000	600	1300	2000
MTD.60.145.200.G.000	600	1450	2000
MTD.80.130.200.G.000	800	1300	2000
MTD.80.150.200.G.000	800	1500	2000
MTD.60.125.200.G.000	600	1250	2000

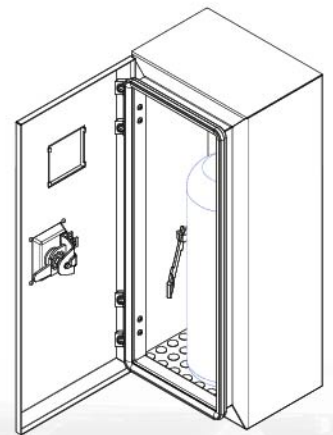


## FIRE EXTINGUISHER BOX

### TECHNICAL FEATURES

- Material type is stainless steel, mat or bright is an option.
- Lock is stainless.
- Transparent glass is an option.
- Size is an option in order to put 2 fire extinguishers on box.
- There is a fixing belt in box.

	SIZES		
	A	B	C
MTD.47.70.24.C.000	470	700	240
MTD.30.70.24.C.000	300	700	240
MTD.28.60.25.C.000	280	600	250





# MTD

Otomotiv San. Tic. Ltd. Şti.

## Factory Address

- 📍 Çilek Mah. 63145 Sk. No. 3 Akdeniz, Mersin / Türkiye
- ☎ 0090 324 229 35 00
- 📠 0090 324 239 25 77
- ✉ info@mtdotomotiv.com

## Accounting and Finance Department

- ☎ 0090 324 229 35 00
- ✉ muhasebe@mtdotomotiv.com
- ✉ finans@rmrotomotiv.com

## Production and Quality Department

- ☎ 0090 324 229 35 00
- ✉ uretim@mtdotomotiv.com
- ✉ proje@mtdotomotiv.com
- ✉ kalite@mtdotomotiv.com

## Sales Department

- ☎ 0090 324 229 35 00
- ☎ 0090 542 741 41 46
- ✉ satis@mtdotomotiv.com

Overseas Sale  
Domestic Sale

- ☎ 0090 324 229 35 00
- ☎ 0090 544 451 41 39
- ✉ kerim@rmrotomotiv.com

## Logistic Department

- ☎ 0090 324 229 35 00
- ✉ operation@mtdotomotiv.com
- ✉ depo@mtdotomotiv.com
- ✉ saniye@mtdotomotiv.com